



Features

- Compliant with SFP+ MSA
- Compliant with SFP MSA (INF-8074i)
- Support for multi-gigabit data rates up to 10.5Gbps
- Support for 1x, 2x, 4x and 8x Fiber Channel data rates
- Hot Pluggable SFP 20PIN footprint
- Serial ID module on MOD(0-2)
- AC coupling of PECL signals
- EMI/EMC performance
- Low Power consumption<0.5W
- RoHS Compliant

Applications

- Storage Area Networks(SAN), Network Attached Storage and Storage Servers
- 1G/2G/4G/8G Fiber Channel
- Switched fabric I/O such as ultra high bandwidth switches and routers
- Data center cabling infrastructure
- High density connections among network equipments

Absolute Maximum Ratings

Parameter	Symbol	Min.	Max.	Units	Note
Storage Temperature	T_s	-40	85	°C	
Supply Voltage	V_{cc3}	3.14	3.47	V	

Recommended Operating Conditions

Parameter	Symbol	Min.	Max.	Units	Note
Storage Temperature		-40	85	°C	
Operating Case Temperature	T_c	0	70	°C	
Supply Voltage	V_{cc3}	3.14	3.47	V	
Power Dissipation	PD		0.5	W	

Optech Technology Co., Ltd.

2F., No.41, Ln. 221, Gangqian Rd., Neihu Dist., Taipei City 114, Taiwan, R.O.C.
 Tel: +886-2-2656-0588 Fax: +886-2-2656-0599
 http://www.optech.com.tw e-mail: sales@optech.com.tw

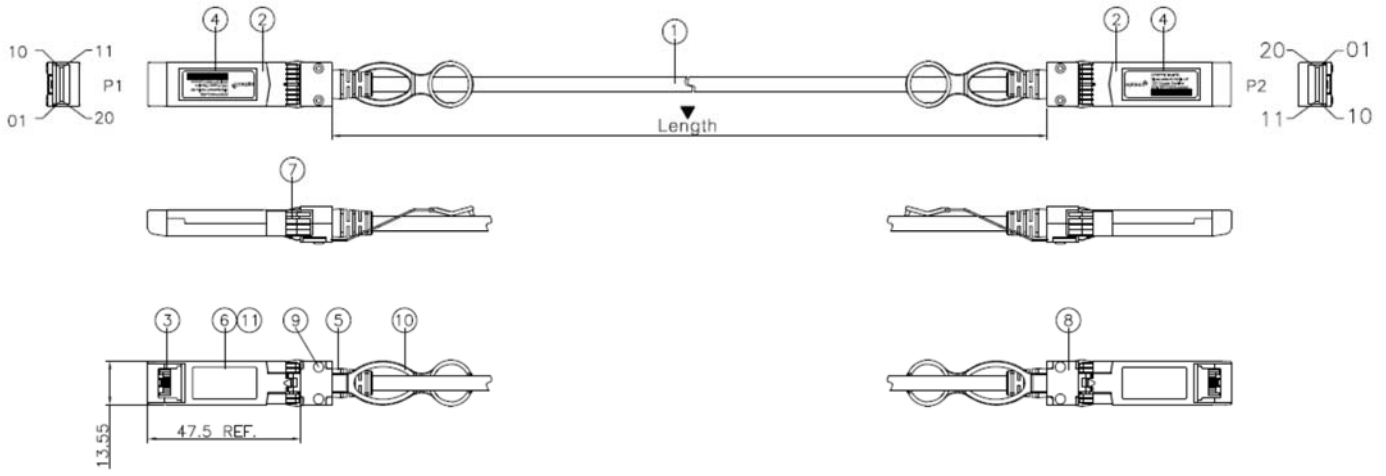
Version: 17V.A
 Page 1 of 5

Electrical Characteristics

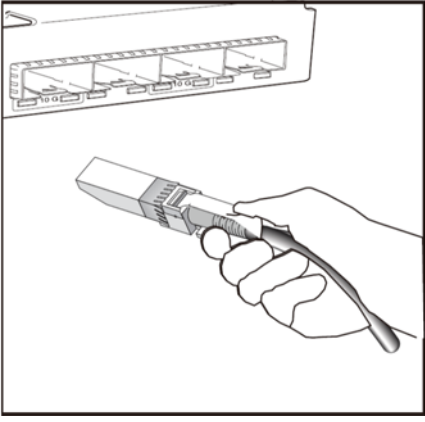
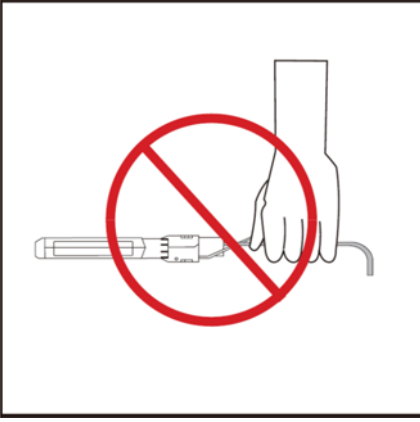
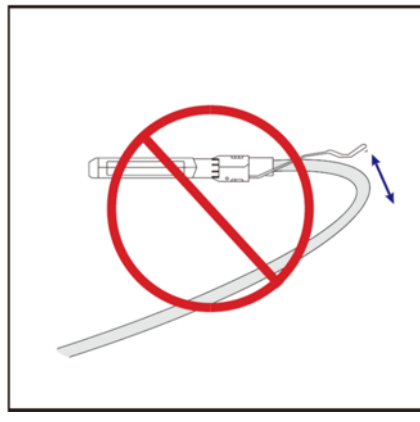


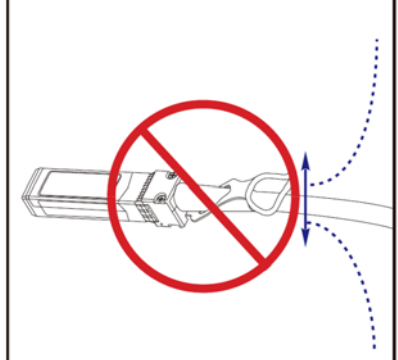
Parameter	Symbol	Min	Type	Max	Units	Notes
Supply Current	I _{cc}	-	-	100	mA	
Transmitter Differential Input Voltage (PECL)	V _{IN}	250	-	1200	mVpp	
Receiver Differential Output Voltage (PECL)	V _O	185	-	1000	mVpp	
Impedance	Z _{cable}	90	100	110	Ohms	
MOD-DEF1, 2	V _{IH}	2.0	-	V _{cc}	V	

Note: The supply current includes SFP Module's supply current and test board working current.

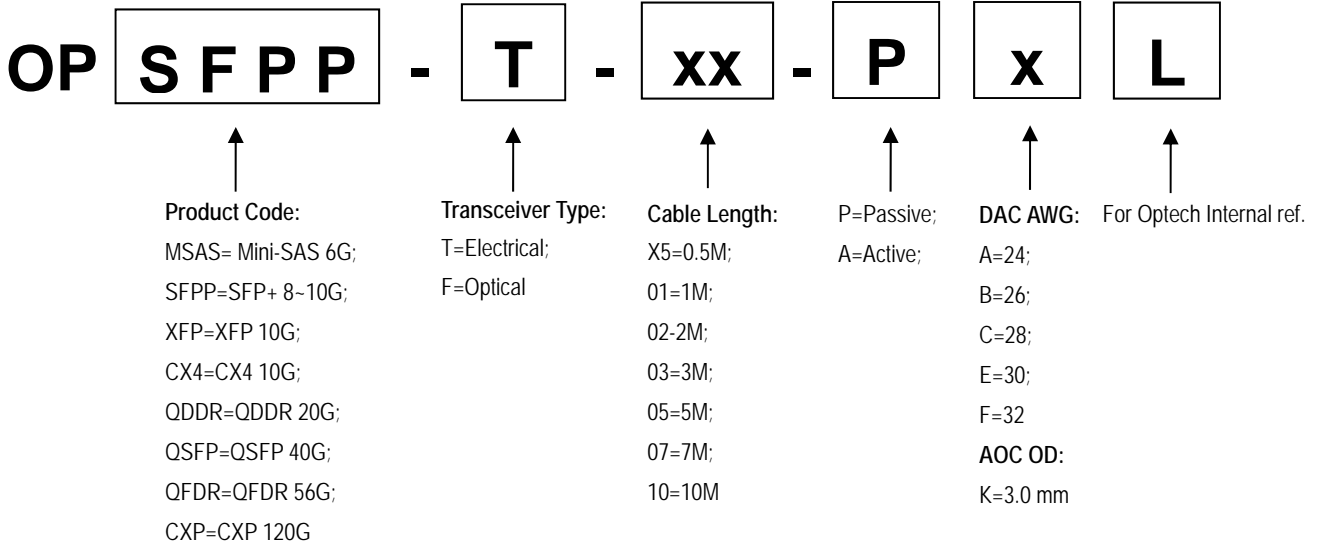
Dimensions



Important Notice

		
<p>Holding the SFP+ connector by its sides, insert the connector into the port on the switch</p>	<p>Do not handle by cable</p>	<p>DO NOT Over-bend the cable behind the connector</p>
		
<p>DO NOT twist the cable</p>	<p>DO NOT kink the cable</p>	<p>DO NOT bend up and down the cable</p>

Ordering Information



Part Number	Model Number	Length (M)	AWG	Voltage	Temperature
OPSFPP-T-X5-PEL	Twinax Copper	0.5	30	3.3V	0°C to 70 °C
OPSFPP-T-01-PEL	Twinax Copper	1	30	3.3V	0°C to 70 °C
OPSFPP-T-02-PEL	Twinax Copper	2	30	3.3V	0°C to 70 °C
OPSFPP-T-03-PEL	Twinax Copper	3	30	3.3V	0°C to 70 °C
OPSFPP-T-05-PAL	Twinax Copper	5	24	3.3V	0°C to 70 °C
OPSFPP-T-07-PAL	Twinax Copper	7	24	3.3V	0°C to 70 °C

Note: All information contained in this document is subject to change without notice.