

UTP7208GE



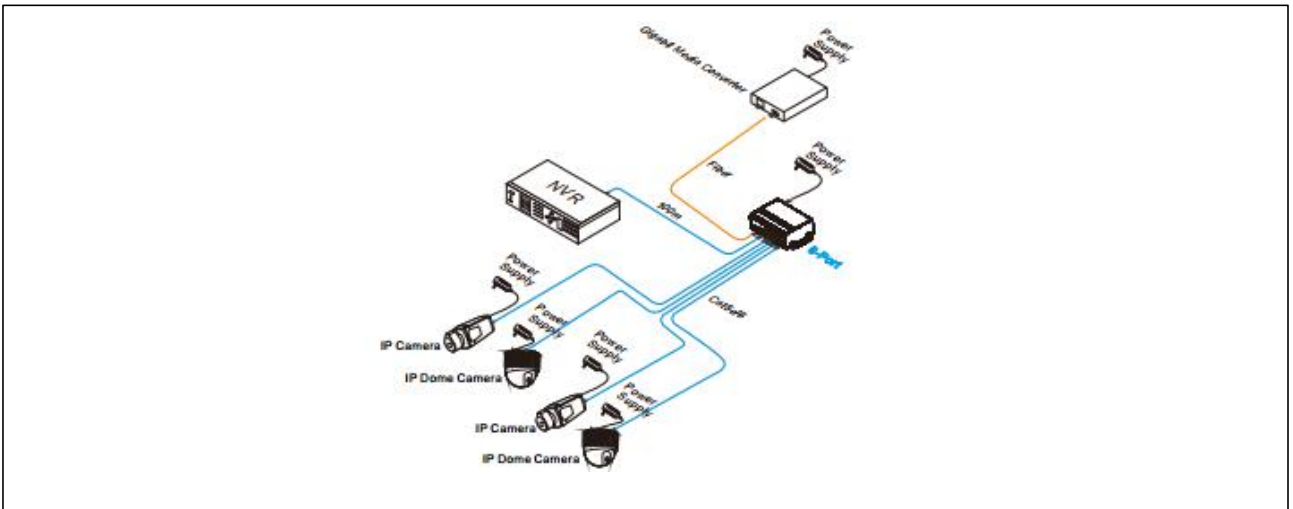
- Provide 8*10/100/1000Base-T Ethernet port and 2*1000Base-X SFP slots.
- Support one-key ring, with self-healing time in 20ms.
- Support one-key broadcast storm prevention (BSP), preventing crash of the switches.
- Support max 200 meters of transmission distance with auto speed reduction.
- Support one channel relay alarm output, fanless, wave metal shell, low power consumption design.
- Support installation of DIN rail and wall mounted, adapting to a variety of environments.



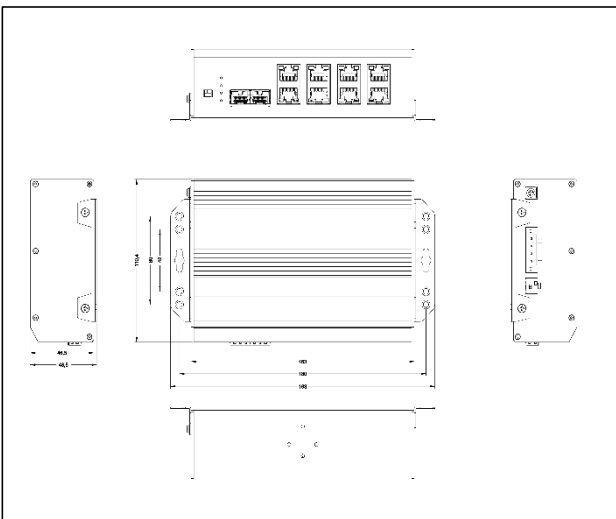
Introduction

Full gigabit one-key ring industrial unmanaged switch provides 8*10/100/1000Base-T Ethernet port and 2*1000Base-X SFP slots. It supports auto speed reduction on Ethernet ports, the transmission distance is up to 200 meters max. What's more, the switch supports one-key ring and one-key broadcast storm prevention (BSP). With industrial components, fanless and low power consumption design, the series meet the requirement of industrial project, and are widely used in Smart power grid, rail transportation, smart city, safe city, new energy, aerospace, smart manufacturing, military and other industrial fields.

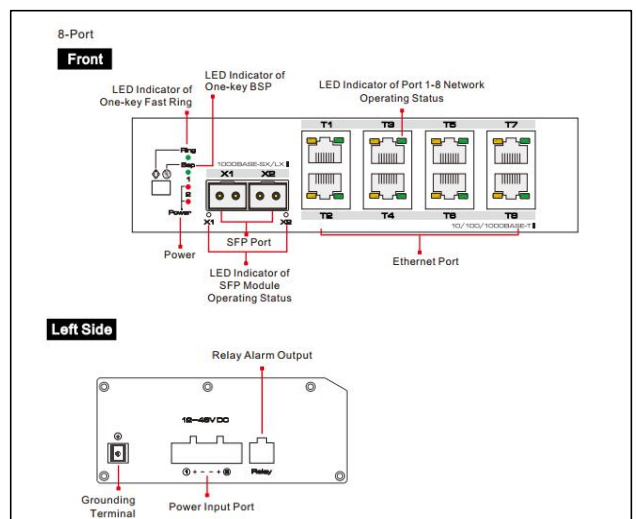
Application



Physical Features



Interface drawing



Hardware Specification

Model	UTP7208GE
Downlink Port	8*10/100/1000Base-T Ethernet
Uplink Port	2*1000 Base-X SFP slots
Alarm Output	One channel relay alarm output, 1A@DC 9V, 2 cores, 5.08mm terminal
DIP Switch	1.Enable / Disable fast ring, with self-healing time less than 20ms. 2. Enable / Disable broadcast storm prevention.
Standard and Protocols	IEEE802.3, IEEE802.3u, IEEE802.3ab, IEEE802.3Z, IEEE802.3X, IEEE 802.1P
Switching Capacity	24Gbps
Packet Forwarding Rate	18Mpps
Buffer	2Mbit
MAC Address Table	16K
Jumbo Frame	10K bytes
LED Indicator	Port: 1*Link/Act (Green) & 1*Speed Rate(Orange) 1*One-key Fast Ring (Green), 1*One-key BSP (Green), 2*PWR (Red)
Surge Immunity	6KV per: IEC61000-4-5
ESD Immunity	6KV contact discharge / 8KV air discharge Per: IEC61000-4-2
Power Supply	External industrial DIN rail power supply
Access Terminal	4 PIN / 5.08mm
Input Voltage	12-48VDC
Power Consumption	≤12W (Full load)
Operating Temperature	-40-75°C
Storage Temperature	-40-85°C
Operating Humidity	5%-95%(Non-condensing)
Shell	IP40, metal shell
Dimension (L×W×H)	159mm×110mm×46.5mm
Installation	DIN rail or Wall mounted
Weight	749g
Certification	CE, FCC

Package List

Item	Quantity
Industrial Switch	1pc
DIN Rail Power Supply (Without by default)	Optional
DIN Rail Hanger	1pc
Wall Hanger	1pc
Quick Installation Guide	1pc
Warranty Card, Desiccant	1pc

Related Products

Item	Model
Industrial 6-Port Gigabit+2-Port 100/1000X SFP Unmanaged Switch(Fast-Ring)	UTP7206GE