



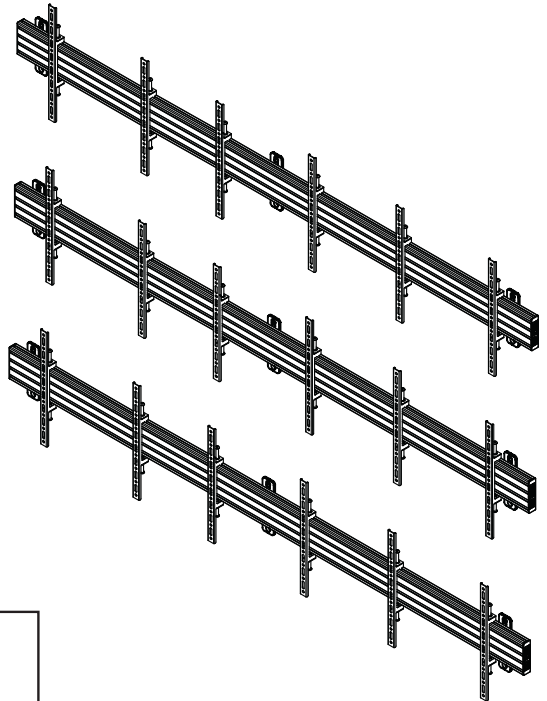
B-TECH AV MOUNTS

SYSTEM X™

BT8340

UNIVERSAL VIDEOWALL MOUNTING SYSTEM

INSTALLATION GUIDE



SPECIFICATIONS

- Recommended screen size: 32"- 70"
- Max weight per screen: 50kg (110lbs)
- Suitable for landscape or portrait mounting
- Sections can be joined together to increase video wall width
- Safety screws help prevent unauthorised removal of screens
- All mounting hardware included

Note: This assembly manual covers different installations. Some parts or procedures shown may not be required for installation.

Please refer to page 5 for VESA® fixings



PER SCREEN

CONTENTS

Installation Safety Notes.....	2
Parts List.....	4
Typical Installation.....	6
Installation Instructions.....	7
Product Dimensions.....	17
B-Tech Contact Details.....	20

INSTALLATION & OPERATING SAFETY INSTRUCTIONS



CAUTION: This mount is intended for use only with the maximum weights indicated. Use with equipment heavier than the maximum indicated may result in instability causing possible injury.

Do not attempt to install this product until all installation / operating instructions and warnings have been read and properly understood. *Please keep these instructions safe for future reference.*

Please check carefully to make sure there are no missing or defective parts - defective parts must never be used.

B-Tech AV Mounts, its distributors and dealers are not liable or responsible for damage or injury caused by improper installation, improper use or failure to observe these safety instructions. In such cases, all guarantees will expire.

Check with the place of purchase for information on any guarantees, repairs or replacements of this product.

General

B-Tech AV Mounts recommends that a professional AV installer or other suitably qualified person install this product. Great care must always be taken during installation as most AV equipment is of a fragile nature, possibly heavy and easily damaged if dropped.

If you do not fully understand the instructions or are not sure how to install this product safely, then please consult a professional for advice and/or to install this product for you. Failure to mount this product correctly may cause serious injury or death both during installation and at any time thereafter.

Do not mount any AV equipment that exceeds the specific weight limit of the product you are installing.

This weight limit will be clearly stated on each product and its packaging and will vary from product to product.

Product location

Please pay careful attention to where this product is located. Check load capacity of the wall prior to installation to ensure that it can support the combined weight of the equipment and hardware, some surfaces are not suitable for installation.

Warning! Secure to a solid fixture, stability can be impaired if attaching to any unsecured surface or furniture.

Designed for indoor use, this mount is suitable for public or home installation. If located in a public or frequently populated area ensure that the product is out of the immediate reach of people. If any AV equipment is to be suspended over the likely path or location of people then great care should be taken to secure all parts of the installation from falling.

When drilling holes it is essential to avoid contact with electrical cables and water or gas pipes contained within.

Use of a good quality live wire detector and hidden object locator is therefore recommended.

Only drill into structures when you are sure it is safe to do so.

Fixing hardware

It is highly recommended that all fixing screws be used where supplied and that the purpose of all other fixing hardware is fully understood. In some cases more AV equipment fixing hardware will be supplied to accommodate different models of equipment and set up configurations. The installer must be satisfied that any supplied fixing hardware is suitable for each specific installation. The fixing kit supplied with the product may not be suitable for all walls.

If any fixing screws or included hardware are deemed not sufficient for a safe installation then please consult a professional or your local hardware store.

Hazard limitation

When routing cables take advantage of any built in cable management features that the product might provide and ensure that all cables are tidy and secure. Check to see that any moving aspect of the product can do so unhindered by any cabling. Some products have moving parts and the potential to cause injury through the crushing or trapping of fingers or other body parts. Particular attention to the nature of moving parts is required especially when assembling installing and adjusting during set up. Immediately after installation double-check that the work done is safe and secure. Double-check all necessary fixings are present and are of ample tightness.

Operating & Maintenance

It is recommended that periodic inspections of the product and its fixing points are made as frequently as possible (no more than 6 months apart) to ensure that safety is maintained. B-Tech AV Mounts recommends that a suitably qualified person is used for the removal of this product. Please dispose of the product carefully and with consideration to the environment.

If in doubt consult a professional AV installer or other suitably qualified person.

- CN B-Tech AV Mounts 建议本产品由专业AV安装人员或其他合格人员安装。 B-Tech AV Mounts 及它的代理商、经销商不对由于不恰当的安装而造成的损失或伤害负责。 本产品必须安装在合适的架构上，并仅用于不超过所标示的最大承重。
- CS Společnost B-Tech AV Mounts doporučuje provést instalaci tohoto produktu instalátora AV či jinak způsobilé osoby. Společnost B-Tech AV Mounts, její distributoři a prodejci nenesou prostřednictvím odborného odpov. ědnost za škody nebo zranění způsobená nevhodnou instalací. Tento výrobek je nutno umístit do vhodné konstrukce a používat jen po uvedené maximální výšce.
- DE B-Tech AV Mounts empfiehlt, dass dieses Produkt durch einen qualifizierten AV-Techniker oder eine andere Person mit geeigneter Qualifikation installiert wird. B-Tech AV Mounts, ihre Distributoren und Händler können nicht für durch fehlerhafte Montage verursachte Beschädigung oder Verletzung haftbar bzw. verantwortlich gemacht werden. Dieses Produkt muss auf einem geeigneten Untergrund montiert werden und darf nur bis zum angegebenen Höchstgewicht verwendet werden.
- ES B-Tech AV Mounts recomienda que un instalador de audio y video profesional u otra persona debidamente cualificada instalen este producto. B-Tech AV Mounts, sus distribuidores y concesionarios no se hacen cargo ni se responsabilizan de ningún daño o lesión provocados por una instalación inapropiada. Este producto se debe montar en una estructura adecuada y se debe utilizar soportando solamente hasta el peso máximo indicado.
- FR B-Tech AV Mounts recommande de confier l'installation de ce produit à un installateur AV professionnel ou à une autre personne dûment qualifiée. B-Tech AV Mounts, ses distributeurs et ses revendeurs ne sauraient être tenus responsables de tout dégât ou de toute blessure résultant d'une installation incorrecte. Ce produit doit être monté sur un support approprié et utilisé dans la limite du poids maximum indiqué.
- IT B-Tech AV Mounts consiglia di affidare l'installazione di questo prodotto a un installatore specializzato o ad altra persona adeguatamente qualificata. B-Tech AV Mounts, i suoi distributori e rivenditori non accettano alcuna responsabilità nei riguardi di eventuali danni o infortuni causati da un'errata installazione. Questo prodotto deve essere fissato a una struttura idonea e utilizzato unicamente sino al peso massimo indicato.
- JP B-Tech AV Mounts はAV設置の専門家または適合した知識を備えた人が製品を設置することを推奨します。B-Tech AV Mounts と販売店、取引先はこうした安全指針に従わない場合に随伴される製品の損傷や傷害に対する責任を負いません。場合によって製品が設置されるに適していないところもあるので設置位置に特別な注意を傾けてください。この製品の位置に注意を傾けて設置に適していない壁があるかを確認してください。指定した重さ制限を超過するAV装備を装着しないでください。
- KR B-Tech AV Mounts 는 AV 설치 전문가 또는 적합한 지식을 갖춘 사람이 제품을 설치하도록 권장합니다. B-Tech AV Mounts 와 판매점, 거래처는 이러한 안전 지침을 따르지 않을 경우에 수반될 제품의 손상이나 상해에 대한 책임을 지지 않습니다. 경우에 따라 제품이 설치되기에 적합하지 않은 곳들도 있으므로 설치 위치에 특별한 주의 기울여 주시기 바랍니다. 제품의 설치 위치에 주의를 기울여 확인하십시오. 지정된 무게 제한을 초과하는 AV 장비를 장착하지 마십시오.
- NL B-Tech AV Mounts adviseert om dit product te laten installeren door een professionele AV-installateur of andere hiervoor gekwalificeerde persoon. B-Tech AV Mounts, haar distributeurs en dealers zijn niet aansprakelijk of verantwoordelijk voor schade of letsel die is veroorzaakt door onoordeelkundige installatie. Dit product moet worden gemonteerd aan een geschikte constructie, waarbij het aangegeven maximum gewicht niet mag worden overschreden.
- PL Firma B-Tech AV Mounts zaleca, aby ten produkt był instalowany przez profesjonalnych instalatorów AV lub inny odpowiednio przeszkolony personel. Firma B-Tech AV Mounts, jej dystrybutorzy i dealerzy nie ponoszą odpowiedzialności za uszkodzenia lub obrażenia ciała powstałe w wyniku nieprawidłowej instalacji. Niniejszy produkt musi być amontowany na odpowiedniej powierzchni, a podczas użytkowania nie wolno przekraczać podanego maksymalnego obciążenia.
- PT A B-Tech AV Mounts recomenda que a instalação deste produto seja efectuada por um instalador de AV instalador de AV profissional ou outra pessoa devidamente habilitada. A B-Tech AV Mounts e os seus distribuidores e concessionários não são responsáveis por danos ou lesões causados por uma instalação incorrecta. Este produto tem de ser montado numa estrutura adequada e utilizado somente até ao peso máximo indicado.
- RU Компания B-Tech AV Mounts рекомендует, чтобы установка данного изделия производилась инженером по установке аудио-видеотехники или другим специалистом с соответствующей квалификацией. Компания B-Tech AV Mounts ее дистрибьюторы и дилеры не несут ответственности за повреждения или травмы, полученные в результате неправильной установки.
- توصي بي-تك للتجارة الدولية المحدودة بأن شخص محترف في تركيب ال AV أو شخص مؤهل تأهيلا مناسباً لتركيب هذا المنتج. بي-تك للتجارة الدولية، موزعيها والتجار ليست عرضة أو مسؤولة عن الأضرار أو الإصابات الناجمة عن تركيب غير سليم، والاستخدام غير السليم أو عدم مراعاة هذه التعليمات للسلامة. يجب أن يتم تركيب هذا المنتج في بنية مناسبة ويجب استخدام فقط لدعم الحد الأقصى للوزن المشار إليه.

BT8340 PARTS LIST

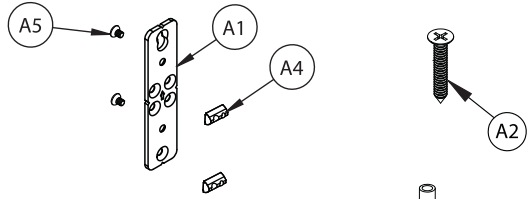
PLEASE KEEP THIS FOR FUTURE REFERENCE

Due to the multiple installations available the quantity for each option below is dependent on the mount ordered. All these components can be moved or carried by manpower. Please be careful to avoid injury when handling these components before & during the installation or when uninstalling the mount.

(A) RAIL MOUNTING BRACKET

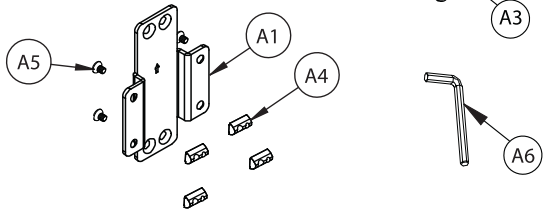
BT8390-WFK1

ITEM	PART NAME	QTY PER PACK
BT8390-WFK1		
A1	WALL FIXING PLATE	1
A2	ST8 x 45mm CSK WOOD SCREW	2
A3	No.10 WALL PLUG	2
A4	M8 SLIDING NUT	2
A5	M8 x 12mm CSK SCREW	2
A6	5AF HEX KEY	1



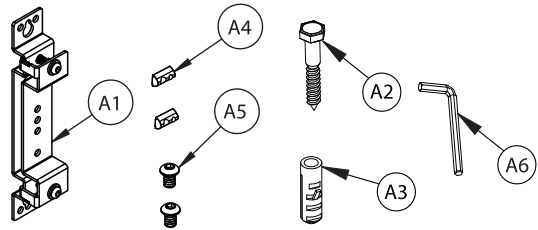
BT8390-WFK2

ITEM	PART NAME	QTY PER PACK
BT8390-WFK2		
A1	WALL FIXING PLATE	1
A2	ST8 x 45mm CSK WOOD SCREW	4
A3	No.10 WALL PLUG	4
A4	M8 SLIDING NUT	4
A5	M8 x 12mm CSK SCREW	4
A6	5AF HEX KEY	1



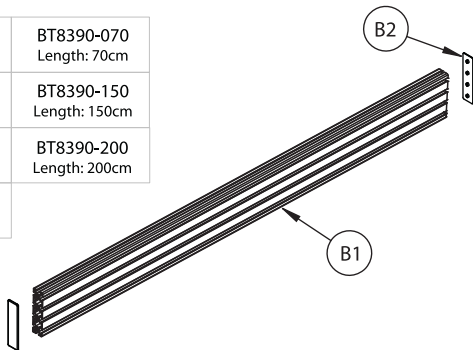
BT8390-WFK5

ITEM	PART NAME	QTY PER PACK
BT8390-WFK5		
A1	ADJUSTABLE WALL PLATE	1
A2	M8 x 50mm COACH SCREW	4
A3	No.10 WALL PLUG	2
A4	M8 SLIDING NUT	4
A5	M8 x 12mm CSK SCREW	4
A6	5AF HEX KEY	1



(B) MOUNTING RAIL

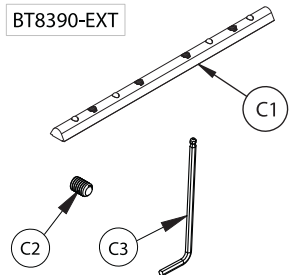
BT8390-050 Length: 50cm	BT8390-070 Length: 70cm
BT8390-100 Length: 100cm	BT8390-150 Length: 150cm
BT8390-175 Length: 175cm	BT8390-200 Length: 200cm
BT8390-300 Length: 300cm	



ITEM	PART NAME	QTY PER PACK
B1	MOUNTING RAIL	1
B2	END CAP	2

(C) OPTIONAL MOUNTING RAIL EXTENSION KIT

BT8390-EXT



ITEM	PART NAME	QTY PER PACK
C1	JOINING BAR	6
C2	M6 x 8mm GRUB SCREW	24
C3	3AF HEX KEY	1

All these components can be moved or carried by manpower. Please be careful to avoid injury when handling these components before & during the installation or when uninstalling the mount.

D INTERFACE KIT

ITEM	PART NAME	QTY PER PACK
D1	SCREEN INTERFACE ARM - LEFT	1
D2	SCREEN INTERFACE ARM - RIGHT	1
D3	M6 x 8mm HEX SCREW**	4
D4	4AF HEX KEY**	1
D5	5AF LONG HEX KEY	1
SCREEN FIXING KIT		
A	M4 x 12mm SCREW*	4
B	M4 x 25mm SCREW*	4
C	M4 x 40mm SCREW*	4
D	M6 x 16mm SCREW	4
E	M6 x 25mm SCREW	4
F	M6 x 40mm SCREW	4
G	M8 x 16mm SCREW	4
H	M8 x 25mm SCREW	4
I	M8 x 40mm SCREW	4
J	MULTIWASHER*	4
K	5mm SPACER	4
L	13mm SPACER	4
M	24mm SPACER	4
N	M6 WASHER***	4

* Not included with the BT8390-VESA400MAF
 ** Not included with the BT8390-VESA400MAF, BT8390-VESA200F or BT8390-VESA400F
 *** Only supplied with the BT8390-VESA400MAF

Max load:
50kg (110lbs)

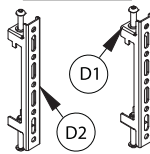


Per Screen

Screen Interface Arms

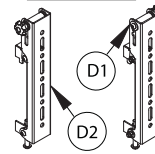
BT8390-VESA200F

VESA 200mm



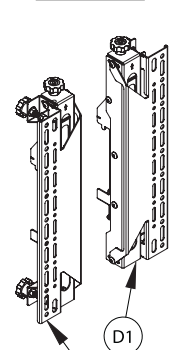
BT8390-VESA200T

VESA 200mm



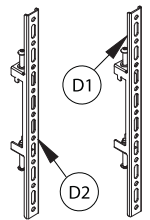
BT8390-VESA400MAF

VESA 400mm



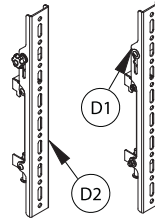
BT8390-VESA400F

VESA 400mm

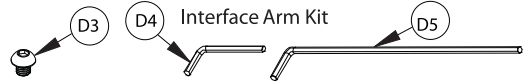


BT8390-VESA400T

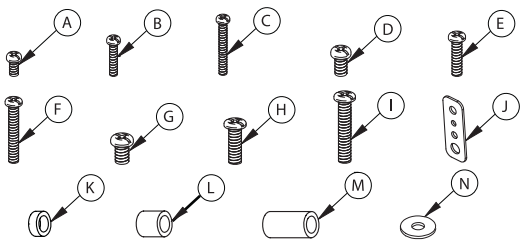
VESA 400mm



Interface Arm Kit



Screen Fixing Kit



E OPTIONAL INTERFACE ADAPTOR ARMS

BT7564

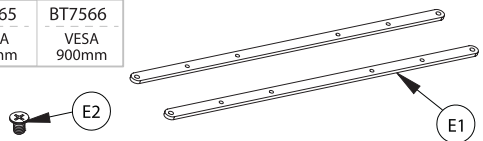
VESA 600mm

BT7565

VESA 800mm

BT7566

VESA 900mm



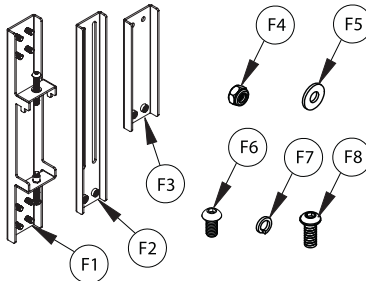
ITEM	PART NAME	QTY PER PACK
E1	ADAPTOR ARMS	2
E2	M8 x 12mm SCREW	4

OPTIONAL COMPONENTS

F OPTIONAL ADJUSTABLE MOUNTING ARM

BT8390-SA

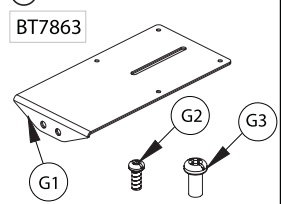
ITEM	PART NAME	QTY PER PACK
F1	HOOK ON ARM	1
F2	LONG EXTENSION ARM	1
F3	SHORT EXTENSION ARM	1
F4	NUT	4
F5	WASHER	4
F6	M8 x 16mm SCREW	4
F7	SPRING WASHER	4
F8	M8 x 20mm SCREW	2



G OPTIONAL SHELF

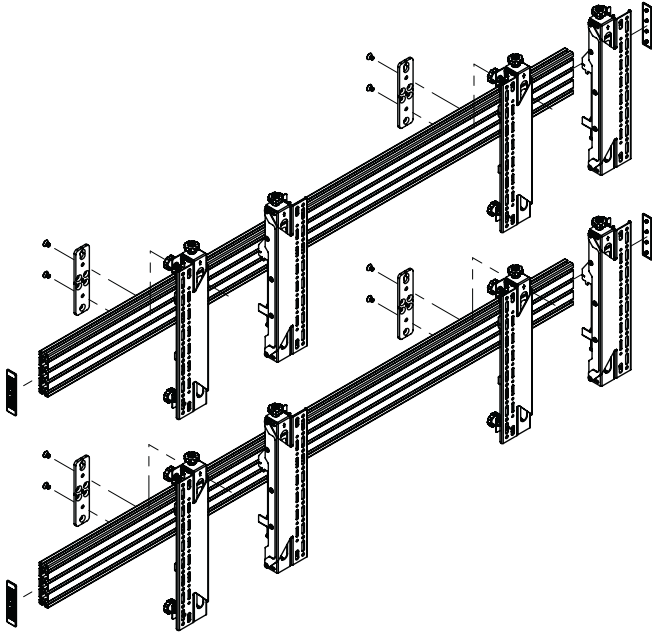
BT7863

G1	VC SHELF	1
G2	M4 x 10mm SCREW	4
G3	UNC 1/4" x 1/2" SCREW	1



TYPICAL INSTALLATIONS

2 x 2 Videowall Installation with VESA 400 Micro-Adjustment Arms



INSTALLATION TOOLS REQUIRED

Drill
10mm (7/16") masonry bit
or 4mm (5/32") wood bit

Pencil



Crosshead
screwdriver

Stud Finder
(Optional)

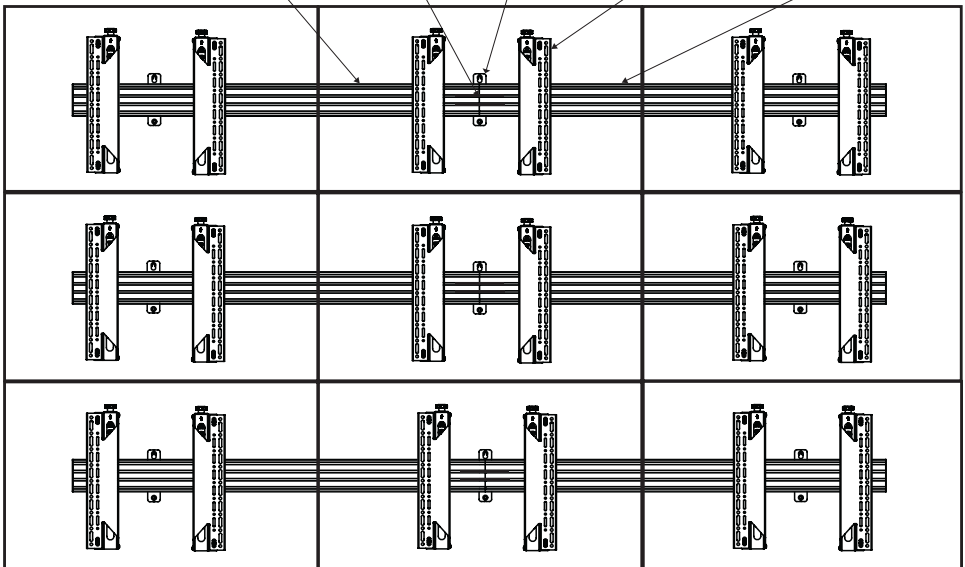


Level (Optional)



3 x 3 Videowall installation with VESA 400 Micro-Adjustment Arms

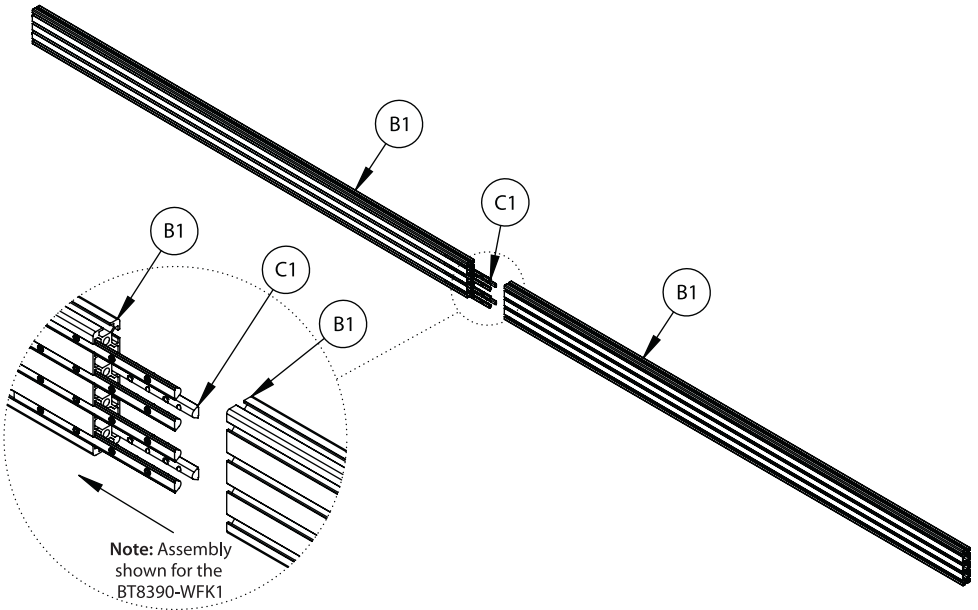
BT8390-150 BT8390-EXT BT8390-WFK1 BT8390-VESA400MAF BT8390-150



OPTIONAL EXTENDING THE MOUNTING RAIL

COMBINING MOUNTING RAILS

- i. On one side of *item B1*, insert 4x *item C1* half-way into each channel.
- ii a. Using **BT8390-WFK1** / **BT8390-WFK5**. On the back side of *item B1*, insert 1x *item C1* in the second channel and 1x *item C1* in the third channel - *See Fig. 1*
- ii b. Using **BT8390-WFK2**. On the back side of *item B1*, insert 1x *item C1* in the top channel and 1x *item C1* in the third channel - *See Fig. 2*
- iii. Fasten *item C2* loosely on each joining bar, fixing it to the mounting rail.
- iv. Slide the second *item B1* onto *item C1* and tighten all *items C2*, combining the rails securely. T



JOINING BAR ASSEMBLY

Fig. 1

a. **BT8390-WFK1** / **BT8390-WFK5**

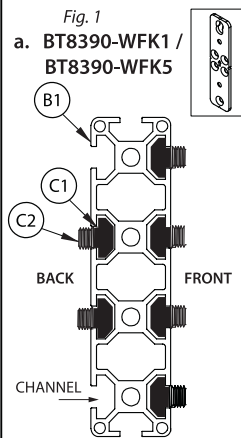
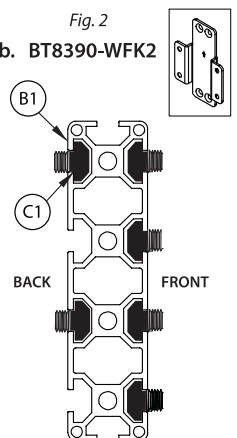


Fig. 2

b. **BT8390-WFK2**

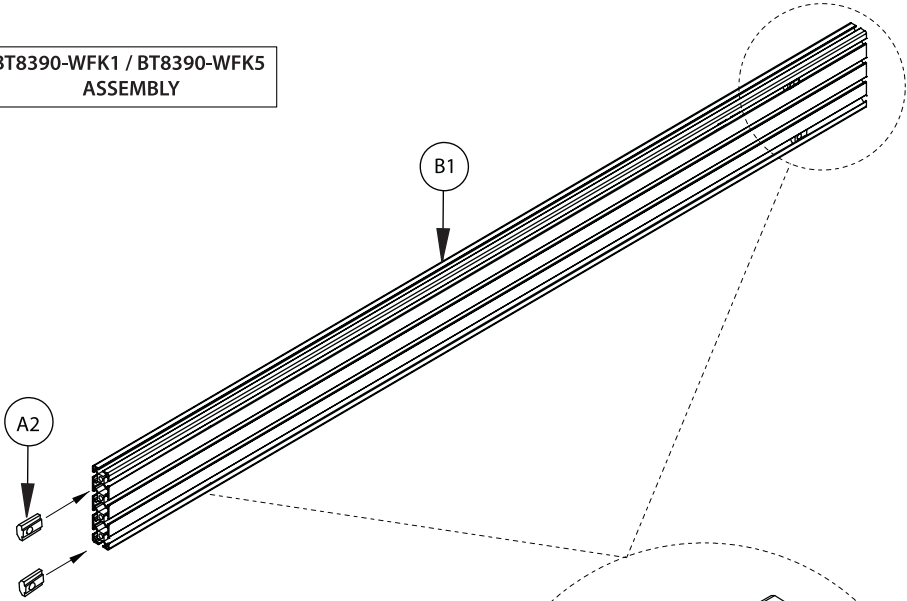


INSTALLATION INSTRUCTIONS

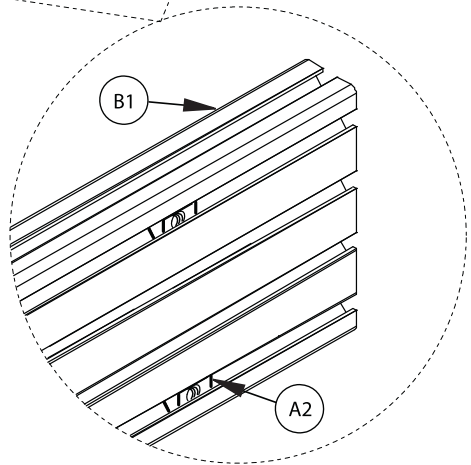
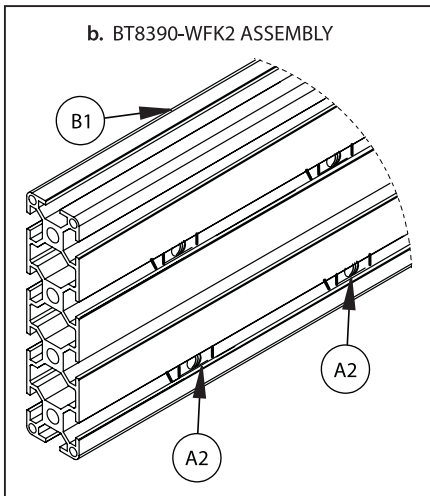
1. INSERT M8 SLIDING NUTS INTO MOUNTING RAIL

- a i. *BT8390-WFK1 / BT8390-WFK5 assembly* - For each *item A1* used, insert 2x *item A4* into *item B1*. 1 in the top channel and 1 in the bottom channel.
- b i. *BT8390-WFK2 assembly* - For each *item A1* used, insert 4x *item A4* into the *item B1*. 2 in the second from top channel and 2 in the bottom channel.

BT8390-WFK1 / BT8390-WFK5
ASSEMBLY



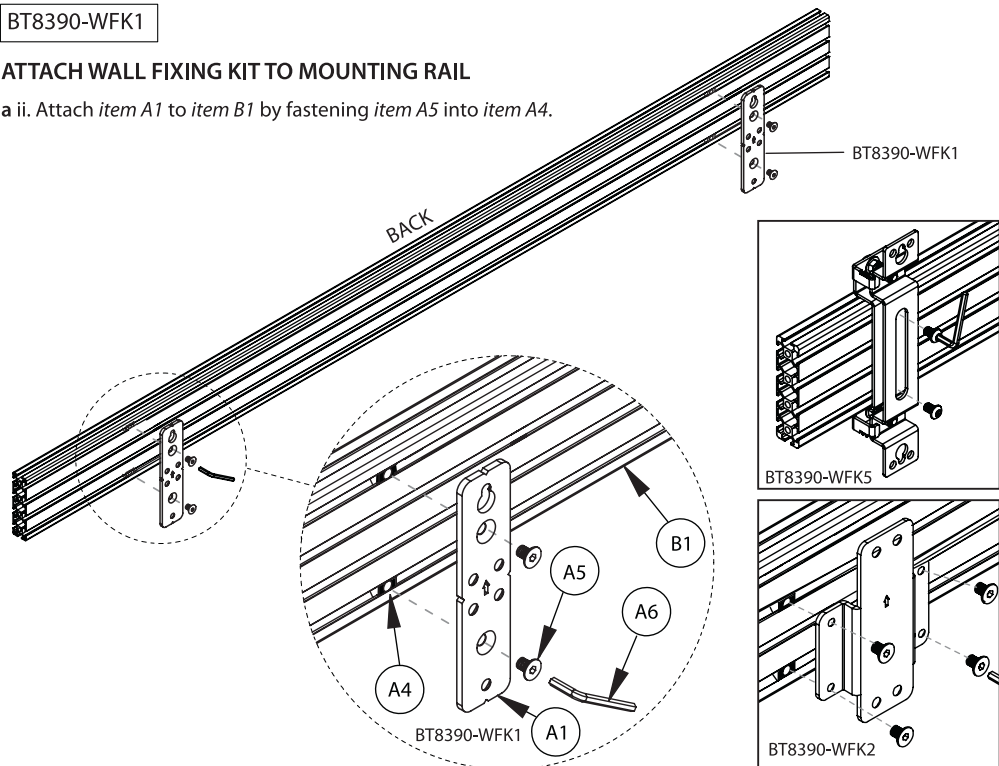
b. BT8390-WFK2 ASSEMBLY



BT8390-WFK1

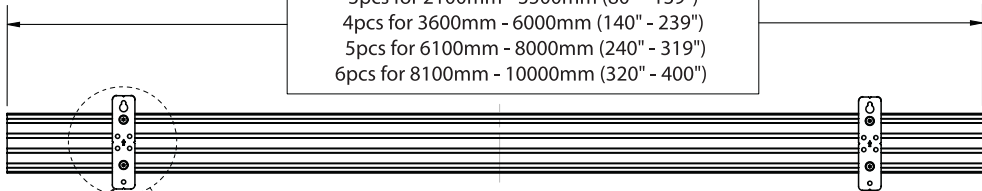
ATTACH WALL FIXING KIT TO MOUNTING RAIL

a ii. Attach *item A1* to *item B1* by fastening *item A5* into *item A4*.

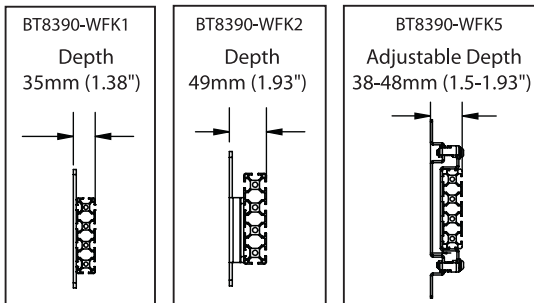
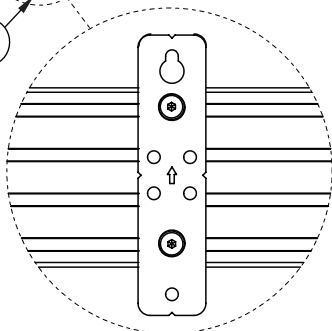


Required quantity of Rail Fixing Brackets (*item A1*)

2pcs for 0 - 2000mm (0 - 79")
3pcs for 2100mm - 3500mm (80" - 139")
4pcs for 3600mm - 6000mm (140" - 239")
5pcs for 6100mm - 8000mm (240" - 319")
6pcs for 8100mm - 10000mm (320" - 400")

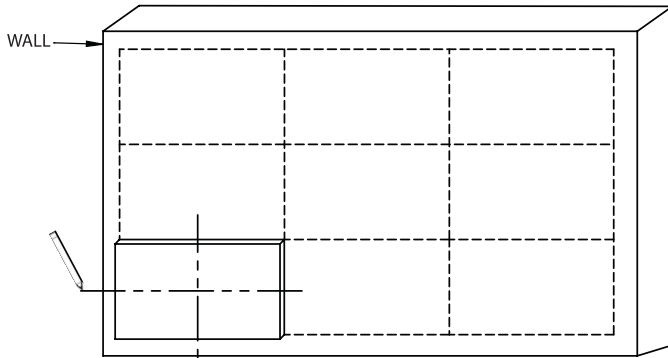


A1

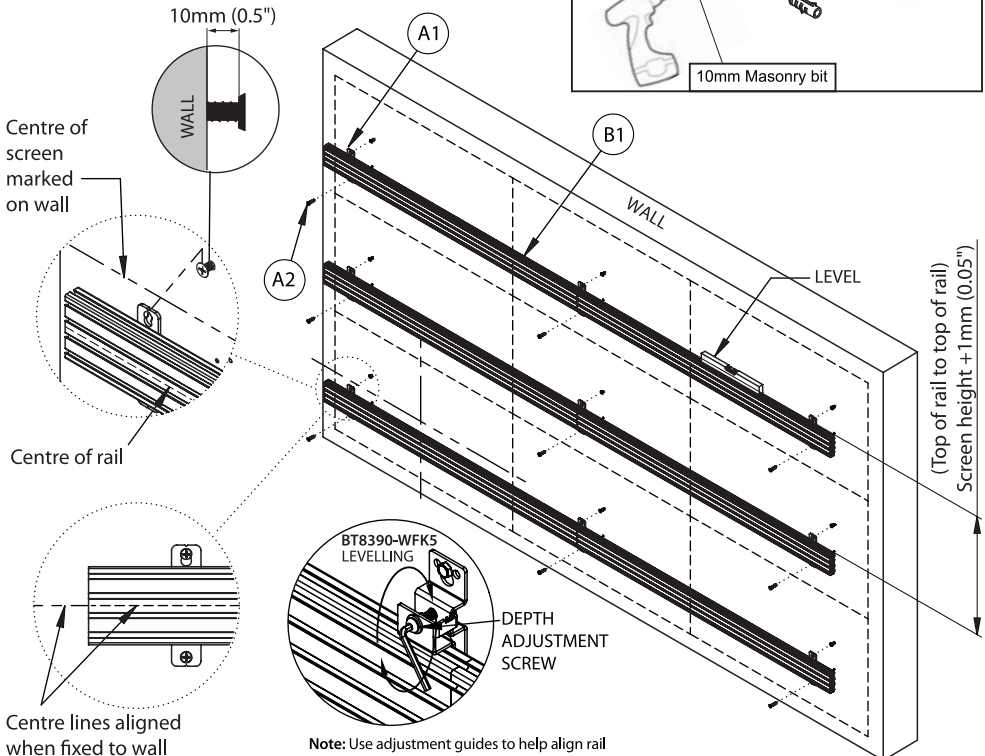
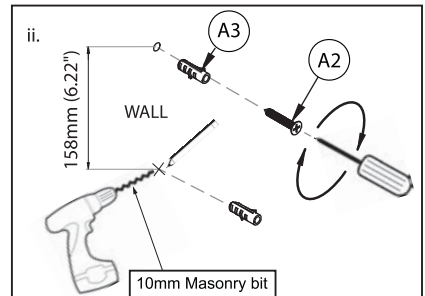


2. INSTALLING THE MOUNT

- i. Determine the centre of the first screen at the bottom left. Mark the centre, for the centre of the rail.



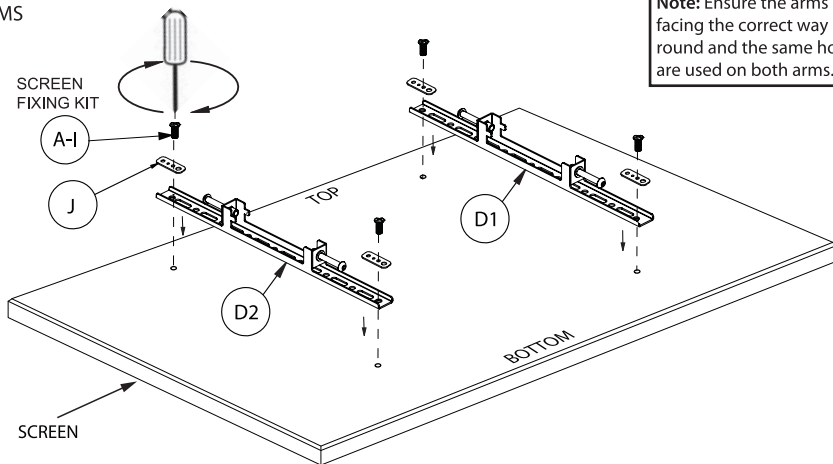
- ii. Mark and drill two fixing holes for each *item A1* assembled. Insert *item A3* and the top *item A2*. Do not fully tighten - Allow a gap (approx. 10mm/0.5").
- iii. Hook *item A1* on to *item A2* using the keyholes. Once the rail is hooked on, fasten *item A2* into the bottom holes and tighten all fixings.
- iv. Fit *item B2* to the ends of *item B1*.



3. ATTACH INTERFACE ARMS TO SCREEN

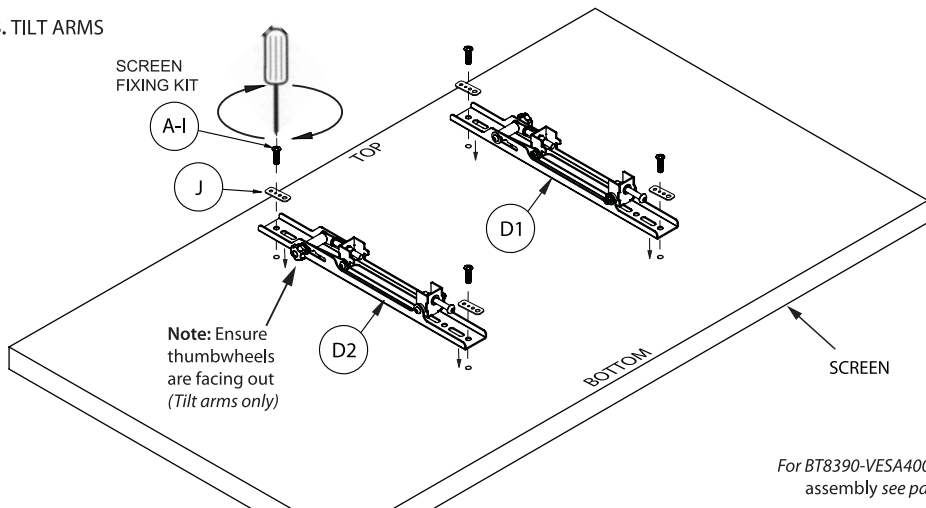
Fix items D1 & D2 to the rear of the screen using items A-M.

A. FIXED ARMS



Note: Ensure the arms are facing the correct way round and the same holes are used on both arms.

B. TILT ARMS

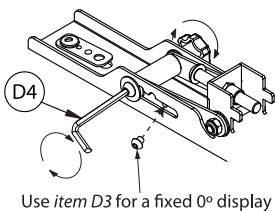


Note: Ensure thumbwheels are facing out (Tilt arms only)

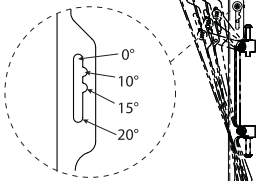
For BT8390-VESA400MAF assembly see page 12

BT8390-VESA200T / BT8390-VESA400T

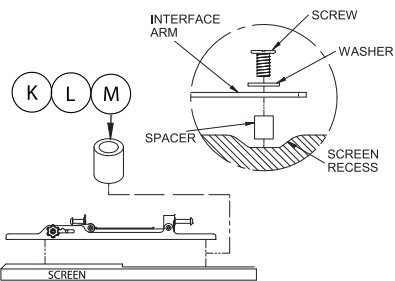
For tilt adjustment, use item D4 to loosen the screw and thumbwheel on the interface arms. Re-tighten screw to fix tilt angle.



Quick tilt settings

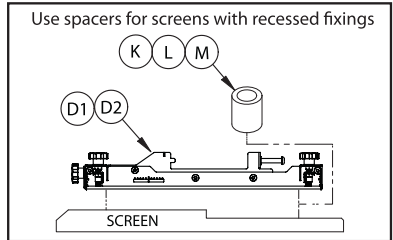
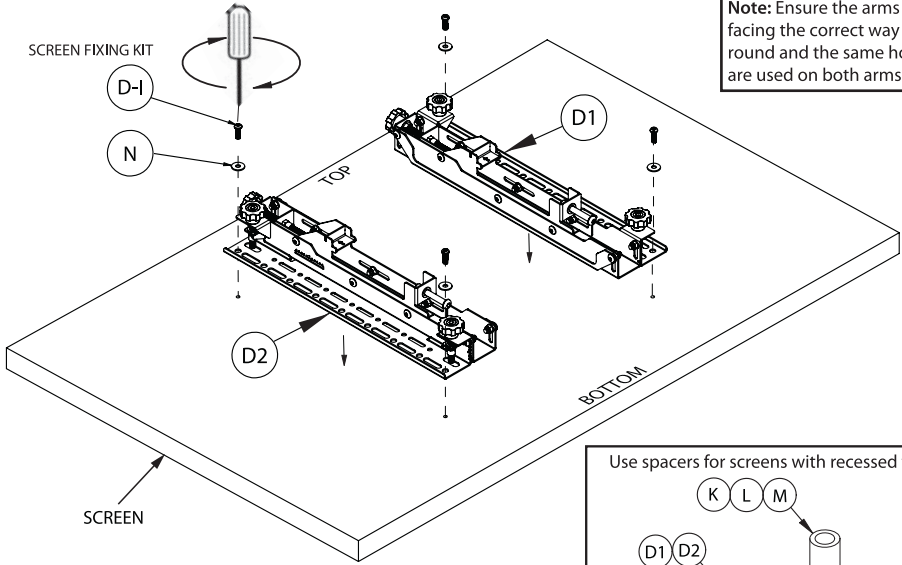


Use spacers for screens with recessed fixings



C. MICRO-ADJUSTMENT ARMS

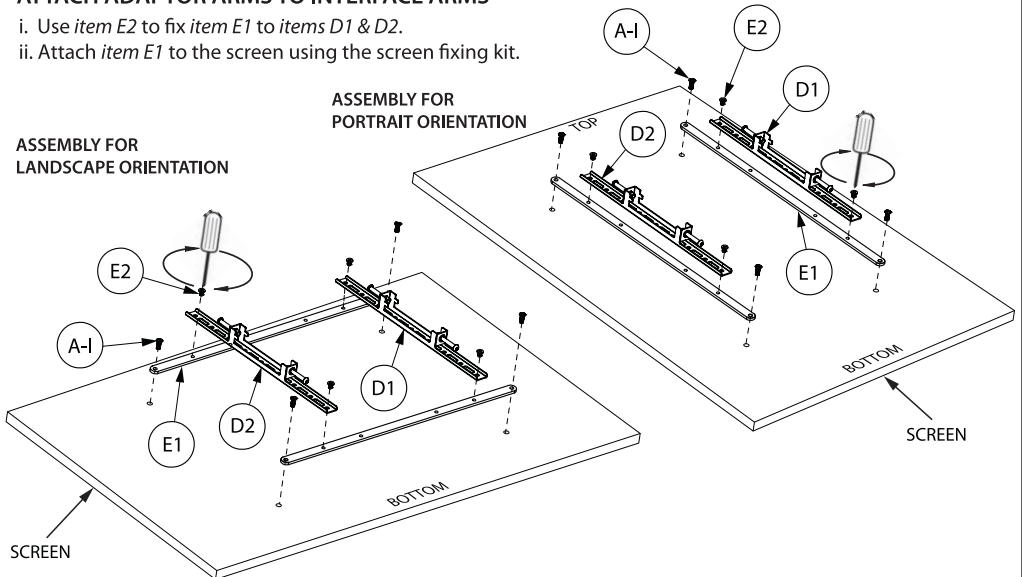
Fix items D1 & D2 to the rear of the screen using items D-N.



OPTIONAL ADAPTOR ARMS

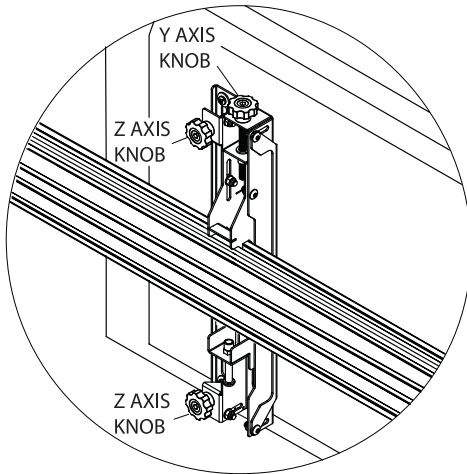
ATTACH ADAPTOR ARMS TO INTERFACE ARMS

- Use item E2 to fix item E1 to items D1 & D2.
- Attach item E1 to the screen using the screen fixing kit.

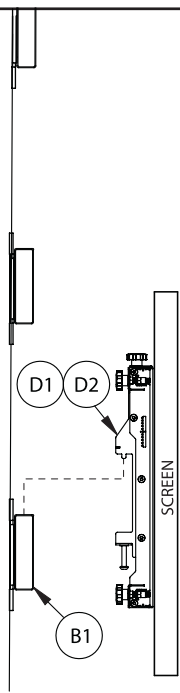


4. HOOK SCREEN ONTO RAIL

- i. Hook the first screen onto the centre of the bottom rail and make sure the screen is aligned with the centre of *item B1*.

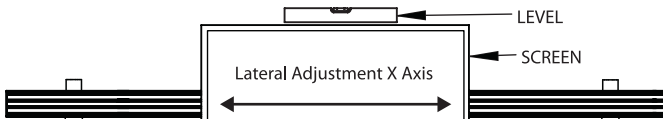


WALL



Note: Micro-adjustment of screens only available using BT8390-VESA400MAF interface arms, for screen levelling on Fixed and Tilt arms - see page 15.

- ii. Using a level, align the screen to the floor using the Y axis adjustment knobs.
- iii. Use the Z axis knobs to ensure screen is perpendicular with the floor.



Distance to floor

Distance to floor

FLOOR

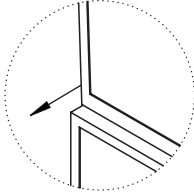
Note: If mounting 3 or more screens across, mount the first screen centrally onto the bottom rail.

5. HOOK THE REMAINING SCREENS ONTO RAILS

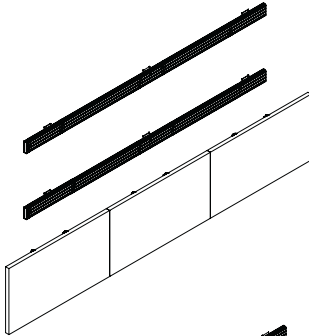
Starting from the bottom rail, hook the remaining screens onto rails using a plumb to align. After mounting each screen use the Y & Z micro-adjustment knobs on the interface arms* items D1 & D2 to level and align screens.

Note: A 1mm gap between screens should be maintained.

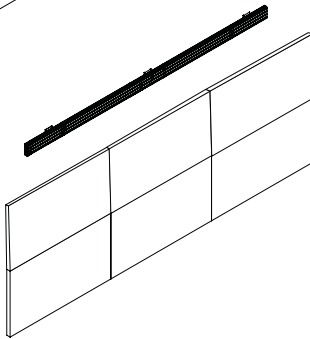
Use **Depth Adjustment***
(Z axis knobs) to align front of screens



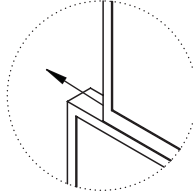
ii.



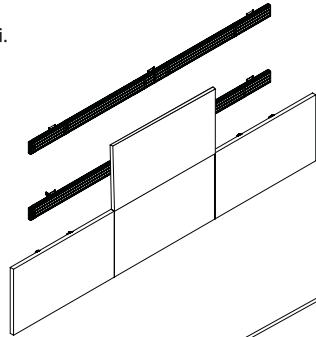
iv.



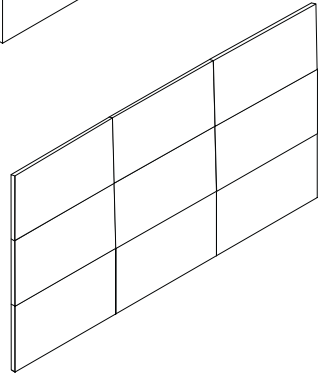
Use **Lateral Adjustment**
to align sides of screens



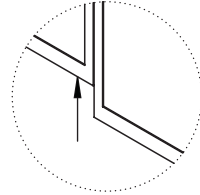
iii.



v.

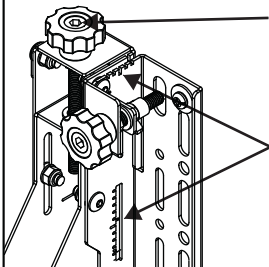


Use **Height Adjustment***
(Y axis knobs) to align bottom/top of screens



*Only available when using the BT8390-VESA400MAF interface arms. To level the rows of screens using the fixed or tilt interface arms, use the height adjustment screws on top of the arms before mounting the next row of screens - see page 15

BT8390-VESA400MAF

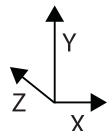


Adjustment knobs are also compatible with 6mm allen key

Adjustment lines to help with accurate Y & Z axis screen alignment

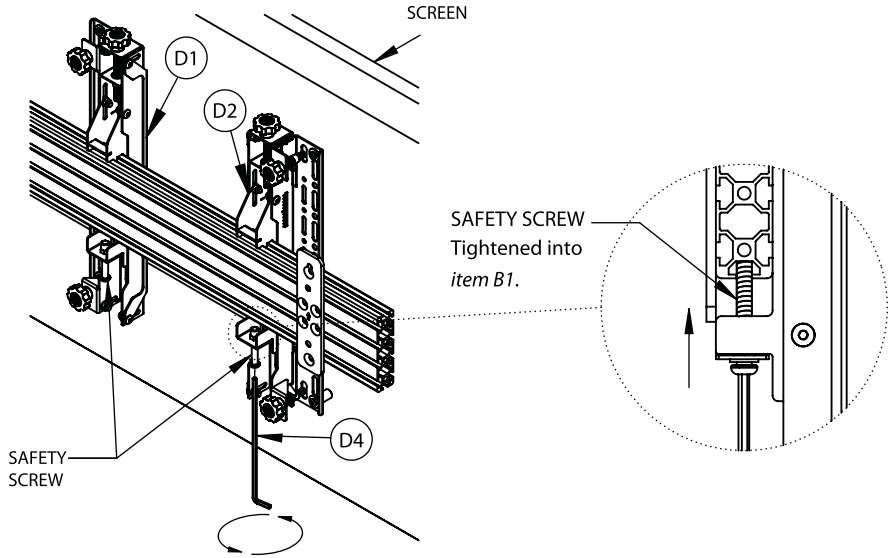
Total Y axis adjustment is +/-25mm
Total Z axis adjustment is 20mm

Note: Light pressure in the desired direction of travel will assist in the adjustment of knobs when using heavier screens



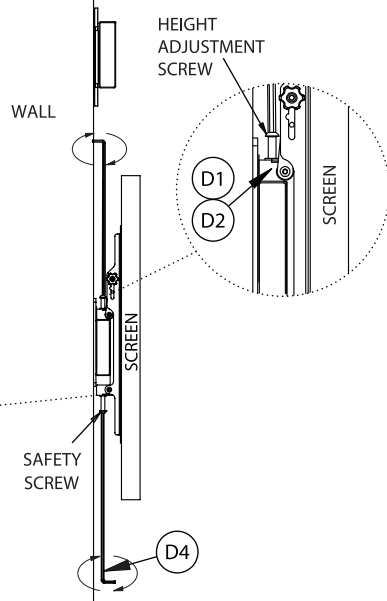
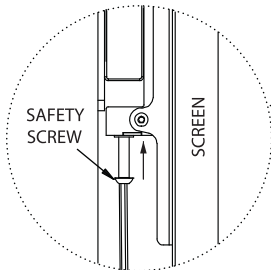
6. SECURE INTERFACE ARMS TO THE RAIL

Once screens are aligned tighten the safety screws on *items D1 & D2*, securing the arms to the rail.



SECURE SCREENS (FIXED AND TILT ARMS*)

- i. If necessary, after the first row of screens are mounted use the height adjustment screws on top of *items D1 & D2* to level the screens.
- ii. Secure the screens to the rail by tightening the safety screws on the bottom of *items D1 & D2*.
- iii. Repeat for each row of screens



WARNING! Contact a professional AV installer or other suitably qualified person for any further operation or removal of equipment after installation

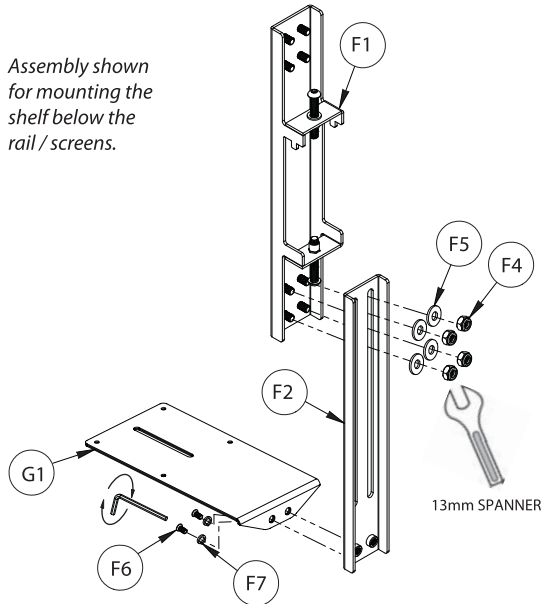
OPTIONAL COMPONENT ACCESSORIES

OPTIONAL INSTALLING A CAMERA SHELF

Note: Assemble accessory arm onto the mounting rail before mounting screens to rail.

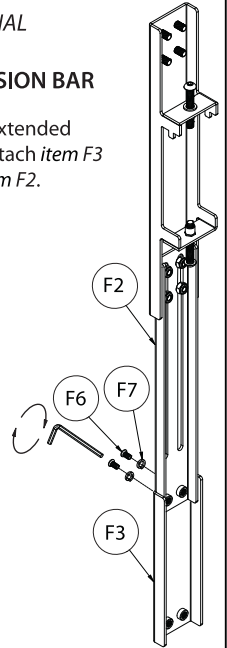
- i. Attach item F2 to item F1 using items F4 & F5.
- ii. Attach item G1 to item F2 using items F6 & F7.

Assembly shown for mounting the shelf below the rail / screens.

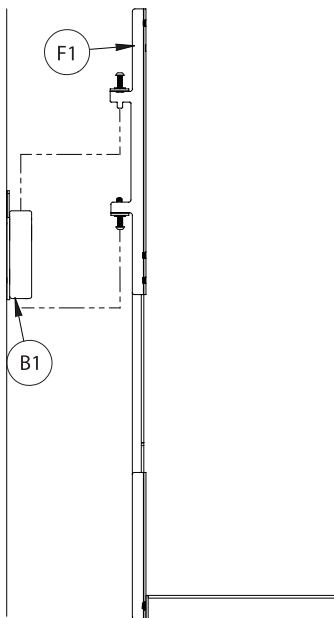


OPTIONAL ADD EXTENSION BAR

For an extended reach attach item F3 onto item F2.



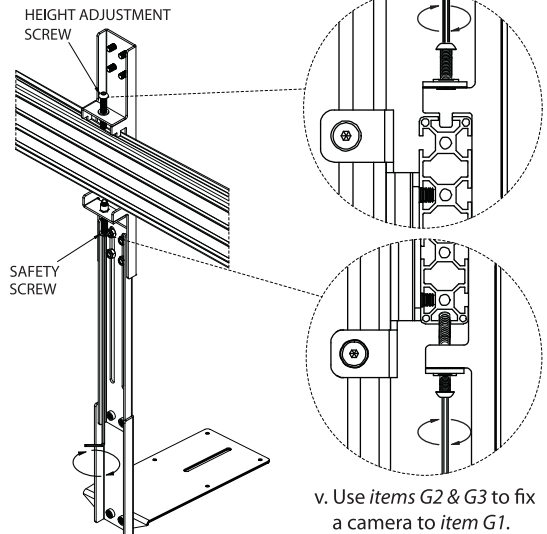
- iii. Hook item F1 onto item B1.



- iv. Secure shelf to rail.

Optional: Level the shelf bracket by using height adjustment screw on item F1.

Use the safety screw underneath the hook arm to secure the shelf bracket to rail.



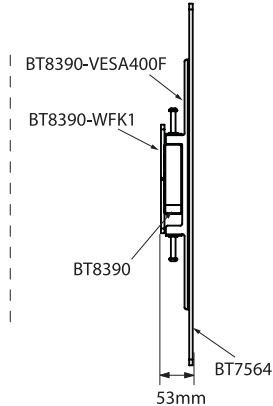
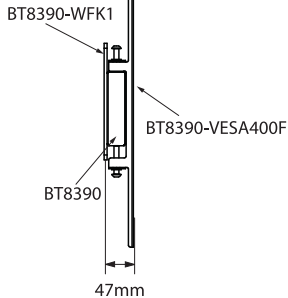
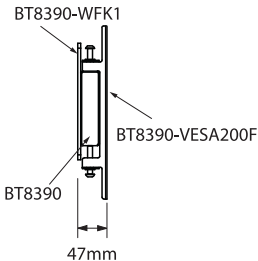
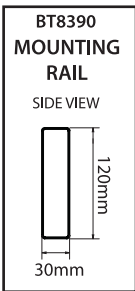
- v. Use items G2 & G3 to fix a camera to item G1.

BT8340 DIMENSIONS

PLEASE KEEP THIS FOR FUTURE REFERENCE

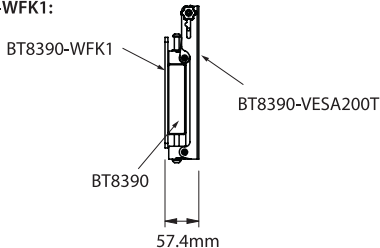
Depending on installation requirements, the BT8340 Video Wall Mounting Kit will feature a selection of the following products.

DEPTH OF INSTALL USING FIXED INTERFACE ARMS

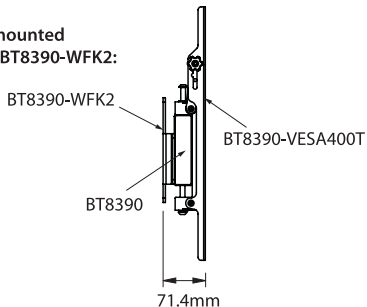


DEPTH OF INSTALL USING INTERFACE ARMS WITH TILT

Wall mounted using BT8390-WFK1:

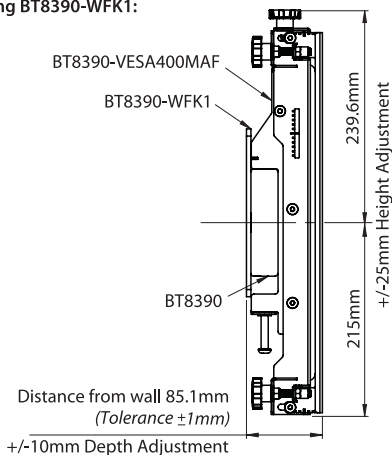


Wall mounted using BT8390-WFK2:

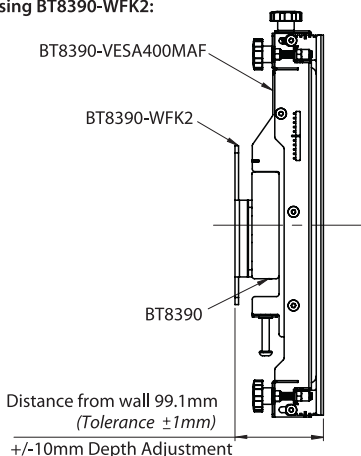


DEPTH OF INSTALL USING INTERFACE ARMS WITH MICRO-ADJUSTMENT

Wall mounted using BT8390-WFK1:



Wall mounted using BT8390-WFK2:



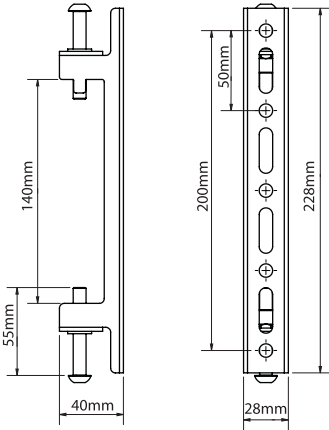
THESE INSTRUCTIONS ARE INTENDED AS A GUIDE ONLY AND B-TECH ACCEPTS NO LIABILITY FOR THE ACCURACY OF THE INFORMATION CONTAINED IN THIS DOCUMENT.

Depending on installation requirements, the BT8340 Video Wall Mounting Kit will feature a selection of the following products.

INTERFACE ARMS

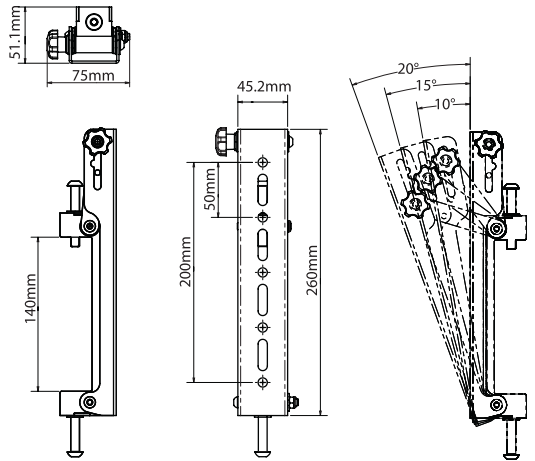
BT8390-VESA200F

Fixed VESA 200mm Interface Arms



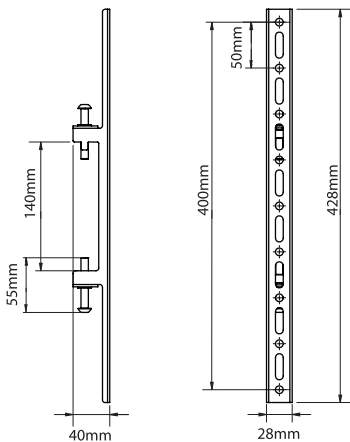
BT8390-VESA200T

VESA 200mm Interface Arms with Tilt



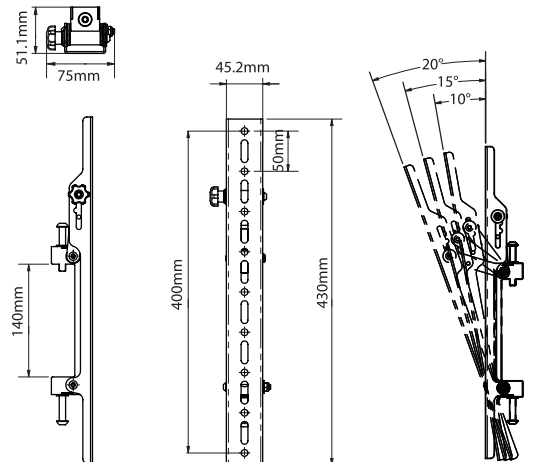
BT8390-VESA400F

Fixed VESA 400mm Interface Arms



BT8390-VESA400T

VESA 400mm Interface Arms with Tilt

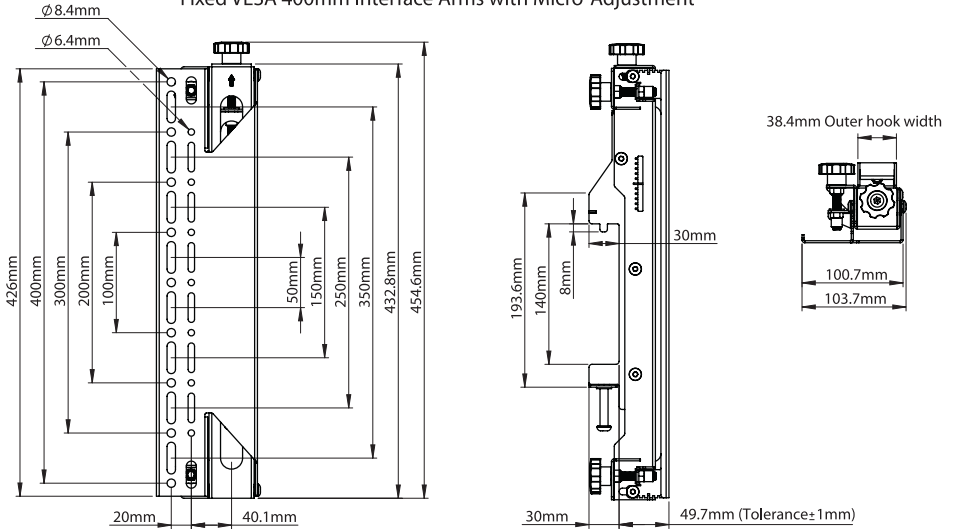


THESE INSTRUCTIONS ARE INTENDED AS A GUIDE ONLY AND B-TECH ACCEPTS NO LIABILITY FOR THE ACCURACY OF THE INFORMATION CONTAINED IN THIS DOCUMENT.

INTERFACE ARMS

BT8390-VESA400MAF

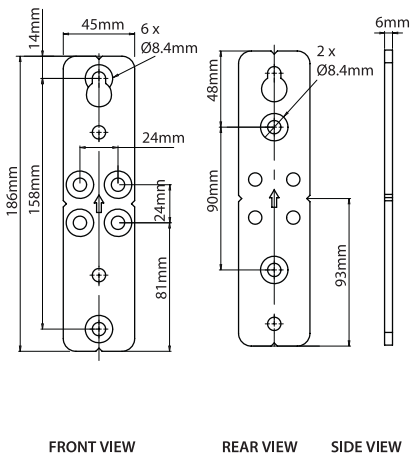
Fixed VESA 400mm Interface Arms with Micro-Adjustment



WALL FIXING KIT

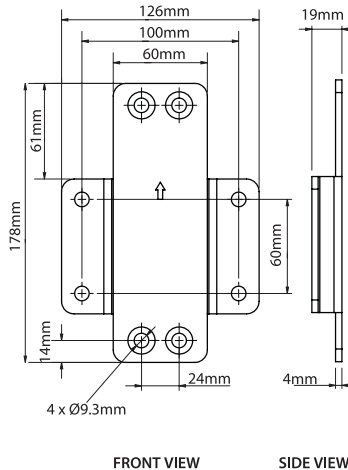
BT8390-WFK1

Rail Fixing Kit - Ultra Slim



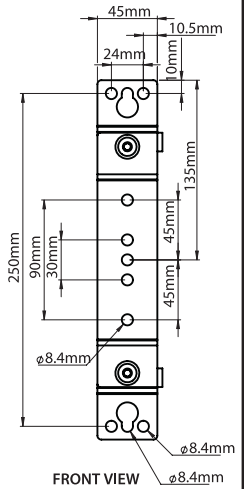
BT8390-WFK2

Rail Fixing Kit



BT8390-WFK5

Adjustable Rail Fixing Kit



THESE INSTRUCTIONS ARE INTENDED AS A GUIDE ONLY AND B-TECH ACCEPTS NO LIABILITY FOR THE ACCURACY OF THE INFORMATION CONTAINED IN THIS DOCUMENT.



CONTACT:

info@btechavmounts.com

©2022 B-Tech International Design and Manufacturing Ltd. All rights reserved.
B-Tech AV Mounts is a division of B-Tech International Design and Manufacturing Ltd.
B-Tech AV Mounts and the B-Tech logo are registered trade marks.
All other brands and product names are trademarks of their respective owners.
Photographs are for illustrative purposes only. E&OE.

Manufactured by:

B-TECH INTERNATIONAL DESIGN & MANUFACTURING LTD
Unit 26, 22/F Metro Centre II, 21 Lam Ling St., Kowloon Bay, Kowloon, Hong Kong

AMA-BT8340-V1.2-0922-BTECH MADE IN VIETNAM

